

Pool Protector

IMPORTANT

OPERATING INSTRUCTIONS MANUAL

HELPFUL HINTS & TIPS

MEETS RoHS



CE R&TTE

This product has been designed to aid in the detection of unwanted intrusions into unsupervised pools. POOL PROTECTOR IS A SAFETY ALARM SYSTEM AND NOT A LIFE SAVING DEVICE. “This device is not intended to replace any other safety consideration, adult supervision, lifeguards, fences, gates, pool covers, locks, etc., and some devices may not detect gradual entry.”

GENERAL

POOL PROTECTOR is the result of intellectualized and quality design and high manufacturing techniques. POOL PROTECTOR is an electronic monitoring system that automatically sounds an alarm when children or pet fall into your unsupervised pool. POOL PROTECTOR is a portable, self-contained, light weight unit that is safe and simple to operate. Entry into the pool will be detected by the unit’s electronic sensor, triggering a loud pulsating alarm and an internal RF transmitter. The alarm has a LED Indicator which indicating the current status of POOL PROTECTOR.

INSPECTION

POOL PROTECTOR is packaged in a shipping carton that minimizes the chance of damage due to handling. Check for damage and confirm that the contents of the carton included the following items.

- POOL PROTECTOR Unit
- Remote receiver
- Transformer/Adapter
- Handle
- Alarm Stabilized Pin (ASP)
- Magnetic key
- Operating Instructions Manual

If any item is missing, contact either the place of purchase or our distributor for replacement.

CARE AND HANDLING.

POOL PROTECTOR is constructed from sturdy plastic to withstand the adverse moisture environment of a swimming pool. **Care needs to be taken when handling, to ensure against being dropped, kicked, etc.**

POOL PROTECTOR is waterproof grade IPX5, but it is not submersible. So, if the pool unit accidentally falls into your pool, remove immediately and drain the water from it. Take the unit apart as indicated in the Battery Replacement Procedure and remove the battery. Tip and shake unit and remove all excess water from inside the unit and the battery, and the circuit board area with a paper towel or cloth. Completely test unit before each use as described in the manual to ensure correct operation.

ATTACHING THE HANDLE

The two handle screws are located at the top of the alarm, use them to fix the handle. (See Figure 1)

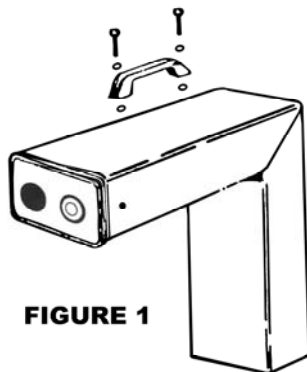


FIGURE 1

OPERATE AND CONTROL MODE

Your alarm has an intelligent system which analyzes the surface of the pool and can automatically reset. It works continually 24 hours a day, only except when you activate the temporary sleep mode after using the magnetic key to stop the system for the time you are in the pool, (sleep mode). After having installed your alarm, the system cannot be turned off, it is always active.

Magnetic key use:

The alarm is controlled with a magnetic key, used to stop the alarm for 100 seconds and transfer the alarm system in to temporary sleep mode. Approach the key to the red round area at the up left of the panel, you will hear 2-3 beeps, indicating that the system goes into the temporary sleep mode.

Remarks:

1. When you remove the pool alarm from your pool, set it in *sleep mode* with the magnetic key.
2. If you need more magnetic keys, please contact your distributor.

The alarm is easy to operate and has many function modes. It has Working mode, Temporary stop and sleep mode and Reset function.

WORKING MODE:

When the pool unit is installed in the pool, press the **reset button** (white button on panel), your alarm will beep 2-3 times. Then after 3 seconds it will beep another 2-3 times, it indicates that your alarm is activated. This will also be indicated by the LED Indicator (Green flash). No matter in which mode the alarm system stands, *once you press the "reset" button, your alarm will quickly activate.*

TEMPORARY STOP AND SLEEP MODE:

Approach the magnet key to the red area on the panel, the alarm will beep 2-3 times, which indicates that your alarm is going into sleep mode. This will also be indicated by the LED Indicator (Red flash). Attention please, the alarm can be in sleep mode only when it is in the working mode and *not beeping or in alarm. If the alarm is sounding, press the reset button then use magnet key to set it in sleep mode.*

RESET:

Your alarm reset button is located on the panel, it is the same button for the Working Mode when you install. When the unit leaves factory, we set 10 minutes for alarm sound lasting time, but if you just press the Reset button, it will stop the alarm sounding and will continue supervising the pool.

IMPORTANT: You must set your alarm into the temporary stop and sleep mode, when you use the pool to swim and when you install and remove your alarm. See below:

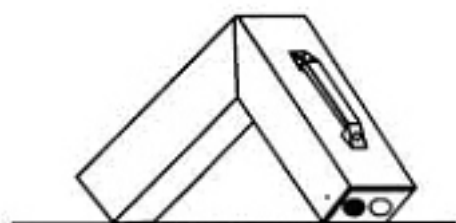
SILENT INSTALLATION AND REMOVAL FEATURE

1. SILENT INSTALLATION

First set the system into *sleep mode*(*LED flash red*), you now have 100 seconds to install the pool unit into your pool without the alarm sounding. Once you have finished installation, press the "Reset" button, your alarm will quickly activate.

2. SILENT REMOVAL

Set the system into *sleep mod*, you now have 100 seconds to remove the pool unit out of your pool without the alarm sounding. Once the alarm is removed, put it in the upright position and it will always stand in sleep mode and will not sound the alarm. Important: Please remove the battery if you will not use the alarm for a long period of time.



UPRIGHT POSITION

3. USE THE POOL TO SWIM FEATURE

When you use the pool to swim, set the system into the sleep mode. In sleep mode, thanks to the automatic rearming feature, **if the alarm detects the pool hasn't been used for a 100 seconds** (if there are no waves), the system will be automatically reactivated and the LED Indicator will flash green.

You should enter the pool within the 100 seconds so the alarm will not make sound when you get into the pool!

When you have finished swimming there are no waves on the pool. The system will not activate until the pool is calm again. Only when the pool surface has stood flat for 100 seconds, the system reactivates: the alarm will beep 2-3 times, after 3 seconds another beeping 2-3 times and the LED indicator will flash green indicating the system is activated.

You can also press the RESET button to active the alarm but if the pool needs from 10 to 30 minutes to calm down, please be patient you should stay near the pool until your alarm beeps for rearming.

BATTERY INSTALLATION/REPLACEMENT

The battery is not installed when you receive it at first. (Battery not included)
Our alarm is powered by two standard 9-volt alkaline battery. To install or replace the battery:

- Remove the screw from the bottom of the unit, refer to Figure 3.
- Carefully slide out electronics assembly; do not pull or jerk on internal hook up cable. (If necessary, gently shake unit to remove assembly.)

- Remove old battery and check for leakage or corrosion. (Remove any leakage or corrosion if present before installing new battery.)
- Counter-clockwise screw off the battery compartment, and then connect and fix the 9v batteries, finally clockwise screw the battery cover tight.(for sake of waterproof, please make sure to tighten the cover.)
- Slide electronics assembly into pool unit; do not pinch internal hookup cable.
- Replace the screw, hand tighten until screw is all the way in and flush against the pool unit.

THE Remote receiver battery installation/replacement.

Remote receiver is powered by a transformer, it can be also powered by a standard 9V alkaline battery (not included) as standby power, the installation and replacement is as follows.

Screw off the screw on the battery cover located at the bottom of remote receiver. (Refer to FIGURE 2)

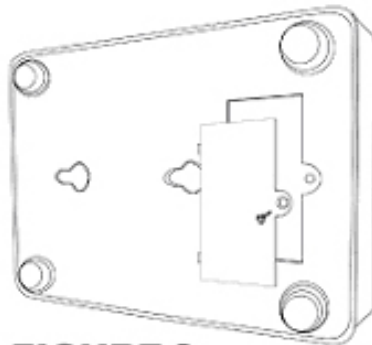


FIGURE 2

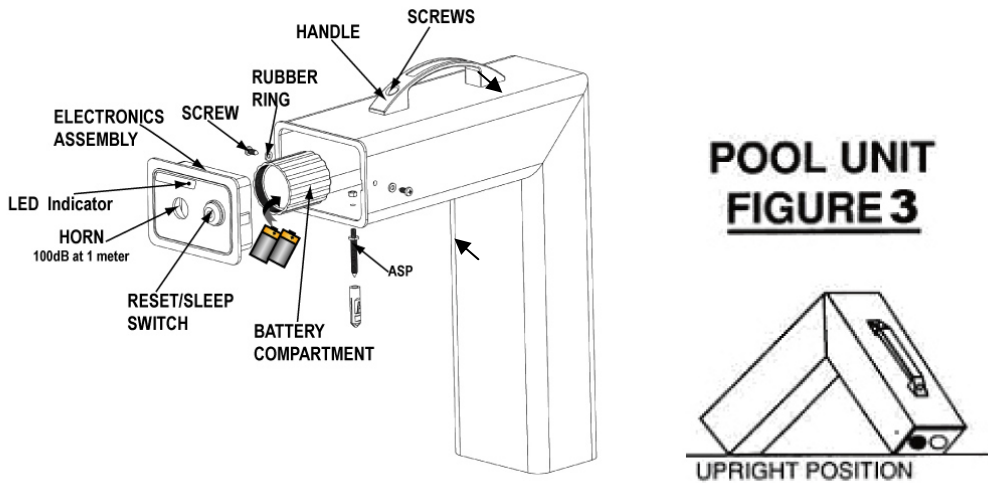
- Carefully pick out battery connector; do not pull or jerk.
- Put the battery in the connector then put back in to the battery case.
- Fit the cover on the battery case, then tighten the screw.
- After the battery installed, without the transformer's power, if the remote receiver's indicator lights on, it means installation is successful.
- Inspect the possible leakage or erosion when you take out the old battery.
- To prevent from possible damage, battery should be removed whenever storing the alarm, for an extended period of time.

Important:

1. we suggest you use alkaline battery, the more powerful the better.
2. once the battery has been used for more than one year, it is better to change it to prevent the leakage or erosion.

The POOL UNIT and REMOTE RECEIVER of your alarm will both beep once every 20 seconds to alert you that the battery is low in the pool unit and needs to be replaced.

When the electricity is cut, the spare battery will be used, when the indicator light on the remote receiver become obscuration or when you hear the beeping for the low battery, you need to replace the battery in the remote receiver.



PLACEMENT IN YOUR POOL

Figure 4 illustrates the best locations for fall detections from any area of the pool. If your pool is larger than **50 square meters (5m x 10m)** or if you have **more than 2 return lines** or any concerns about the size or if you have an **irregular shaped pool**, please contact our distributors to clarify the recommended number of alarms and locations for alarms.

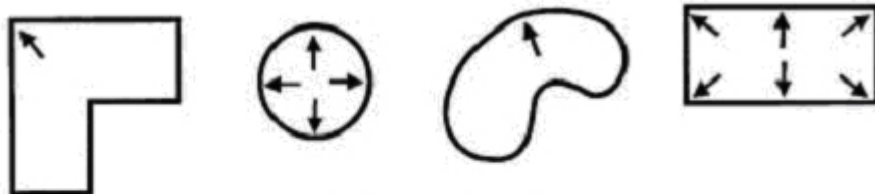
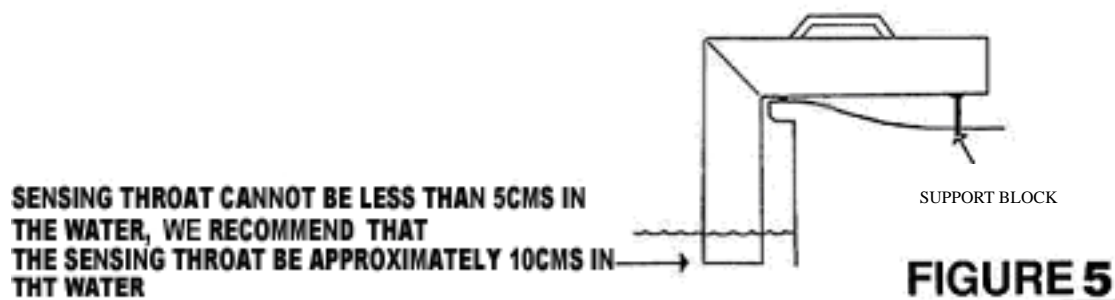


FIGURE 4

50 Square Meters pools and smaller

OUR UNIT automatically compensates for variations of pool levels within the unit's operating range. The sensing throat mustn't be less than 5cms (See Figure 5), and not more than 15cms into the water. Our unit recommends that the sensing throat be approximately 10cms in the water and can be used with SOLAR BLANKETS on the pool and can also be used in spas.



Our unit may not work properly if your pool's water level is not maintained within the required levels of your alarm.

Some irregular shaped decks may not provide a level foundation for the unit by the pool's edge. This minor problem can be overcome by appropriately supporting the unit.

If your pool has a tilted soft slope less than 30% and without discontinuity, this pool alarm is not enough to supervise, you need to use another alarm system to complete.

Please don't let children use the magnetic key towards your alarm (this includes other things with magnetic capability like magnet) in order to avoid setting the system into sleep mode accidentally, although your alarm has an automatic work function, the system needs to wait 100 seconds to analyze the surface of the water.

STABILIZING YOUR POOL ALARM : INSTALL

Your alarm already attached the plastic swell screw, Pin (**ASP**), screw cap and waterproof rubber pad. Please prepare a 10mm masonry drill, pliers, ruler or pencil, etc.

1/. Position your pool alarm so that the sensing throat is in the water and the **ASP** is touching the deck. Be sure to leave a small space between the sensing throat and the edge of your deck, Refer to Figure 6.

2/. Mark with a pencil the spot where you wish to drill the hole for the **ASP**.

3/. With the 10mm masonry drill bit, drill a hole 10mm deep, as straight as

possible.

4/.put a plastic swell screw into the bottom of the hole.

5/.screw the Pin (**ASP**) into the swell screw.

6/.put your alarm on the Pin (**ASP**) and take out the panel of your alarm.

7/.screw the screw cap into the Pin (**ASP**).

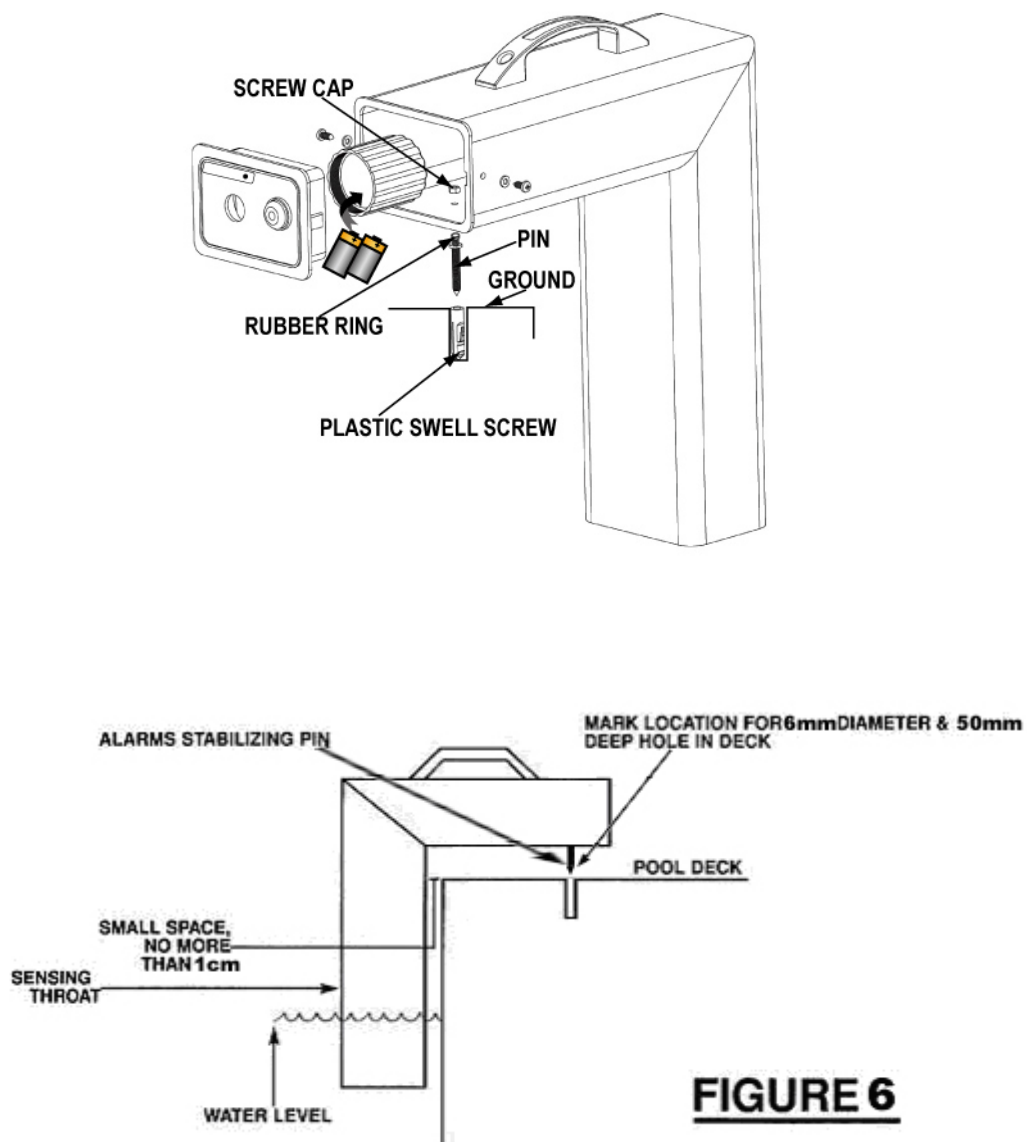


FIGURE 6

The sensing throat should enter the water level not less than 5cms and it is suggested the sensing throat enter water level 10cms.

To ensure effectiveness, test our unit every time you place it into the pool by performing the following procedure:

Our alarm have Working mode and temporary sleep mode and reset function.

Set the system in the working mode. (LED flash green)

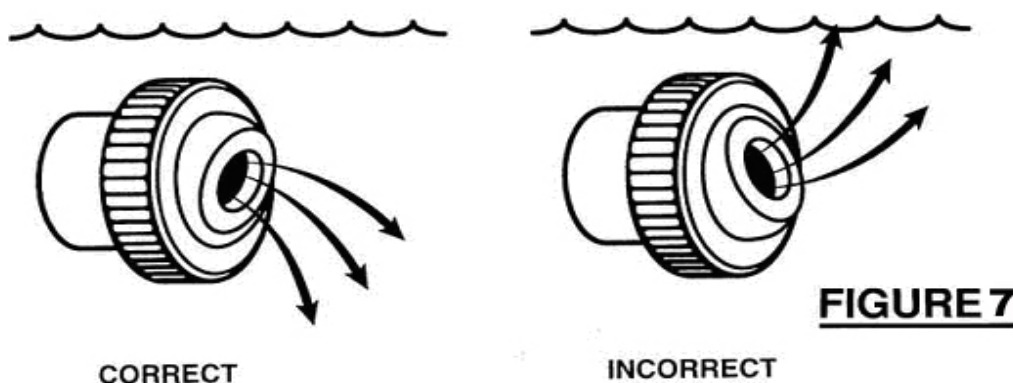
-To test your alarm Push an object of appropriate volume and weight off the deck edge at the farthest location from the alarm. (a 6kgs of object which have similar density as human body). The alarm should sound when the water action caused by the intrusion reaches the unit. It may take a few seconds for the alarm to react to the water action.

Set the system in the sleeping mode. (LED flash red)

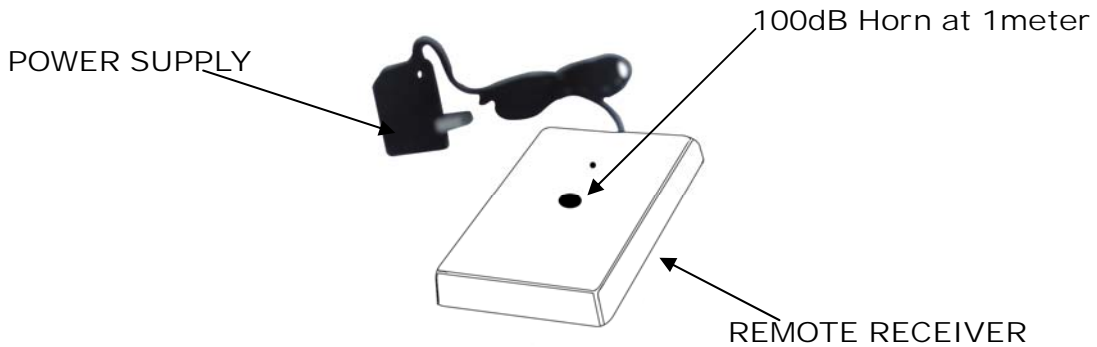
After resetting the alarm, wait until there are no waves in the pool, put the alarm in another place of the pool and test again, until you are confident of detection performance.

Our alarm includes a timer function, the remote receiver will sounded for approximately 7 seconds after the main unit stop the sound.

POOL PROTECTOR should not be placed too close to a return line from the filter area. Water turbulence may be too strong and falsely set the alarm on. If you have more than 2 return lines please contact our distributor. It is very important in pools to adjust all the eyeball fittings on your returns lines so they will not interfere with your pool alarm. It is not necessary to point your eyeball up for your pool to circulate properly. If the water is swirling on top of the pool this makes the pool to turbulent for your alarm to work properly. Point the eyeball down and your pool will still circulate properly and allow your alarm to function properly. **If you point the eyeball fitting up, your alarm may not function properly.** (See Figure 7)



REMOTE RECEIVER



POOL PROTECTOR remote receiver is similar to a wireless remote control receivable equipment, which have **Maximum Range for the remote is 300 feet** from the pool side unit base on the open air.

Your remote receiver is controlled by the main unit, once the main unit sound, the receiver will receive the signal and sound immediately, the sound is 1M 100dB, after the main unit stop to sound, the receiver will stop to sound within 7 seconds.

Once your main unit beeps at interval every seconds, it indicates the battery of the main unit is low, please change immediately. Every main unit can be used together with one or more receivers, if you need more receivers, please connect with our distributor.

Since remote receiver is wireless remote control receivable equipment, metal will shield the signal, so don't put the remote receiver in the metal house or put on the metal door or metal wall.

Test the remote receiver before use, if remote receiver can catch the signal well, move the remote to different locations.

Please put the receiver beyond children's reach, suggest to put receiver above 1.6m from the ground.

Make sure not to put the remote receiver outside of the house.

Make sure you don't forget to install the battery so the system works without electricity.

SWIMMING POOL SAFETY TIPS

-Supervise children at all times.

-Never permit swimming alone. Never leave a child alone, even to answer the telephone.

-Always remove the entire solar cover from a pool before swimming.

- Remember that alcohol and water safety do not mix.
- Have your pool area fenced and the gate locked to prevent unauthorized entry to the pool, and install a gate alarm.
- Lock and secure all doors in the house which permit easy access to the pool, and install a door alarm.
- Have a responsible adult teach swimming and water safety to your children.
- Maintain clean, clear water in the pool.
- Do not swim during strong storms.
- Do not permit bottles, glass, or sharp objects to be used around the pool.
- Ask your pool dealer how you can improve your pool safety-they will be glad to assist you.
- Above all: remember that common sense, awareness, and caution will allow you to enjoy your pool.

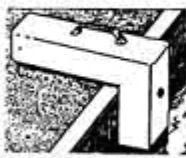
WARRANTY AND REPAIRS

POOL PROTECTOR is sold with a 2 years limited warranty to cover defects in parts and workmanship from date of purchase (retain proof of purchase).

If our alarm exhibits a defect, please contact our distributor. Unauthorized returns will not be accepted, proper repair is only ensured when the unit is returned to the manufacturer.

POOL PROTECTOR has been designed to aid in the detection of unwanted intrusions into unsupervised pools. POOL PROTECTOR IS A SAFETY ALARM SYSTEM AND NOT A LIFE SAVING DEVICE. "This device is not intended to replace any other safety consideration, adult supervision, lifeguards, fences, gates, pool covers, locks, etc., and some devices may not detect gradual entry."

HELPFUL HINTS AND TROUBLESHOOTING



Poolside Unit

FALSE ALARMS

Power Supply



Remote Receiver

All pool alarms will false alarm on occasion for different reasons. False alarms can be minimized. However, it is important to remember that a false alarm is better than no alarm at all. **WEATHER & WIND**-Our Unit set stationary on the deck of the pool so the wind will not effect the alarm unit itself. Wind may trigger a false alarm if it is strong enough or steady enough. That causes the

water in the pool to rock or bounce up and down the pool wall. When the water in the pool moves up and down the alarm sensing throat, it may finally cause the alarm to sound. On extremely windy days when the pool water is rocking it is advised to remove the alarm from the pool.

Light wind or rain will not effect the alarm.

Another false alarm occurs when the pool owner tries to reset the alarm too soon after swimming. After swimming, the water in the pool will rock or bounce up and down the pool wall for some time depending on the size of the pool and the type of swimming activity. **Before resetting the alarm, after swimming, the pool must be given time to calm.** Time will vary (around 10 to 30 minutes); once the pool owner sees that the pool water is no longer rocking up and down the pool wall, it is time to reset the alarm to working mode or let unit automatically reset to working mode about 100 seconds after the pool calm. Normally the **automatic cleaner** will not effect the use of the alarm but if the cleaner head or the cleaner hose hits the alarm, it may cause it to false alarm. Solution to this problem is to find a place around the pool where the cleaner does not interfere with the alarm.

ALARM PLACEMENT

POOL PROTECTOR should be on a flat, solid surface for best results. The water level up on the throat is important and should be checked. The sensing throat cannot be less than 5cms in the water, and not more than 15cms into the water. Our unit recommends that the sensing throat be 10cms in the water.

ALARM TESTING

Drop something of approximately **size, weight and volume** of the families smallest child, A four (4) gallon jug of water or 3 one (1) gallon jugs of water tied together are ideal for testing. **Remember, when testing you must wait about 15 minutes between tests for the pool to calm.**

ALARM WILL NOT SOUND

Be sure that 9 volt battery has been installed properly. If you are testing and unit does not alarm, be sure you are testing properly-putting your feet in the pool, splashing with your hands, making waves, or dropping something into the pool that does not have the proper size, weight and volume **will not set the our unit alarm off!** Testing is very important and should be done correctly.

CARE AND HANDLING

POOL PROTECTOR is made of sturdy, rigid vinyl PVC-UV rated. Because the alarm is electronic and mechanical, great care should be taken not to drop the unit: like any other appliance, it may break, sun and rain will not hurt the alarm. Our unit is waterproof grade IPX5, but it is not submersible. Great care should be taken not to knock the alarm into the pool. If the alarm goes into the pool,

there are directions in the manual on how to dry it out.

Remote receiver

When the main unit sound in the pool, the remote receiver will also trigger a sound, remote control have **Maximum Range for the remote is 300 feet** from the poolside unit base on the open air. Not put it in the basements or close to metal walls. Be sure that the red light on the remote is on, remember, only when the main unit alarm, the receiver will sound.

If your remote receiver is not getting a clear signal or no signal from the poolside unit, try the following, before plugging in the power supply, be sure **to stretch out the cord**; do not leave it tied in a bow as packaged. When you first plug in the remote it will give one short loud beep then stop.

Since remote receiver is like a small portable radiogram, when the main unit in the pool alarm, the receiver not alarm, move the remote receiver to different locations and stand back for a few seconds for the remote to pick up the signal. You may only have to move the remote a little to left or right to bring in the signal. In some cases you might have to move the remote to a different location or another room. If you cannot get a signal on your remote receiver, please ask to change.

Take off the transformer and test remote receiver as the above mentioned steps to see the working condition without electricity power. If still can receive the wireless signal, just put the transformer on, it will be working.

Attention don't forget to install the spare battery for use.

QUICK DO'S AND DON'TS

- DO read the manual carefully**
- DO install 9 volt battery**
- DO untie the bow on the power supply**
- DO test the alarm properly**
- DO carry your alarm by the handle**
- Do not leave until the unit is reseted after swimming**
- Do replace the battery and the spare battery when Low**

voltage.

-Do put the remote receiver and magnetic key out of reach of children

-Do supervise the pool, when the alarm in the sleeping mode.

-DON'T drop your alarm, it may break

-Don't forget to install the spare battery for remote receiver.

-DON'T knock or let your alarm fall into the pool

-DON'T reset your alarm immediately after swimming

-DON'T use your alarm on extremely windy days